



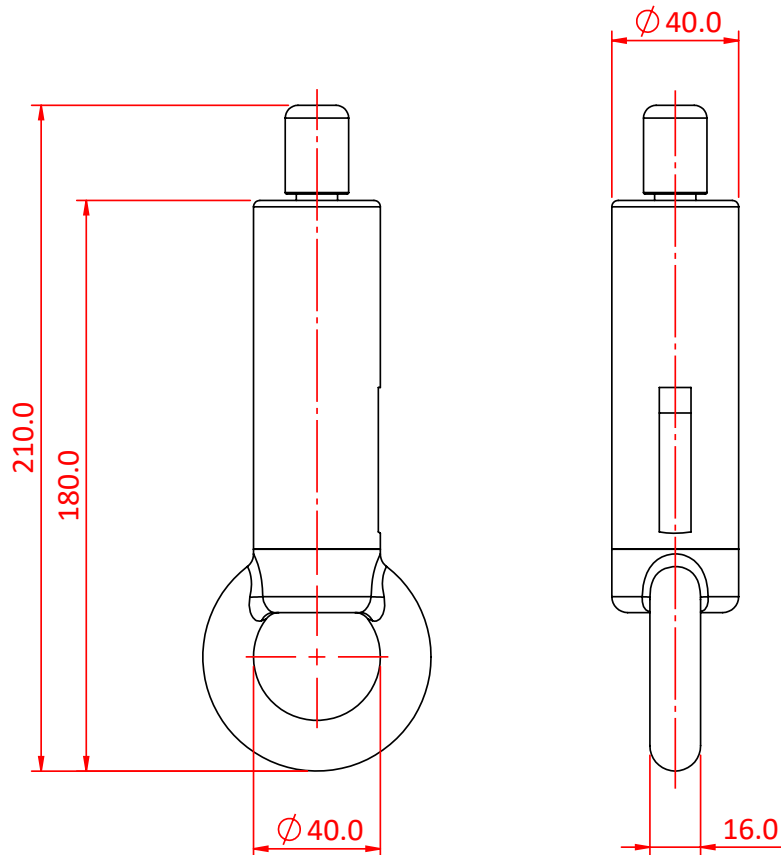
80SV III with Ring - Side Exit Wire

Product Data Sheet



A Type 80 Cable Holder with Side Exit Wire	
Part Nos	T37686
Holder Diameter	Ø40mm
Ring Diameter	Ø40mm - Inner Ø72mm - Outer
Mechanism Type	3 Ball
WLL	Ø6mm Wire - 135Kg Ø1/4" (6.35mm) Wire - 150Kg Ø8mm Wire - 240Kg
Weight	0.88Kg

Dimensions in mm



DIMENSIONS ARE A GUIDE ONLY AND MAY VARY