



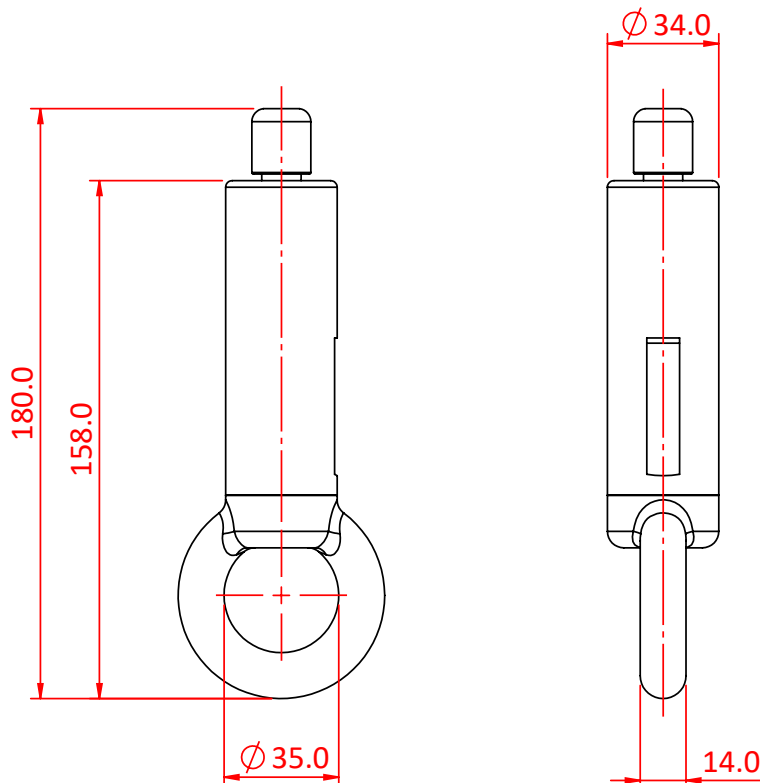
66SV III with Ring - Side Exit Wire

Product Data Sheet

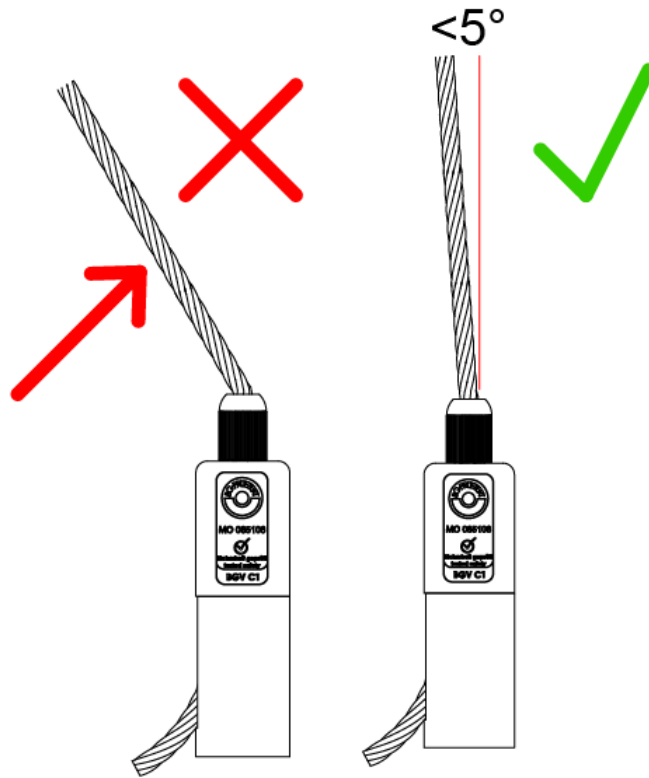


A Type 66 Cable Holder with Ring and Side Exit Wire	
Part Nos	T37666
Holder Diameter	Ø34mm
Ring Diameter	Ø35mm - Inner Ø64mm - Outer
Mechanism Type	3 Ball
WLL	Ø5mm Wire - 90Kg Ø6mm Wire - 135Kg Ø1/4" (6.35mm) Wire - 150Kg
Weight	0.88Kg

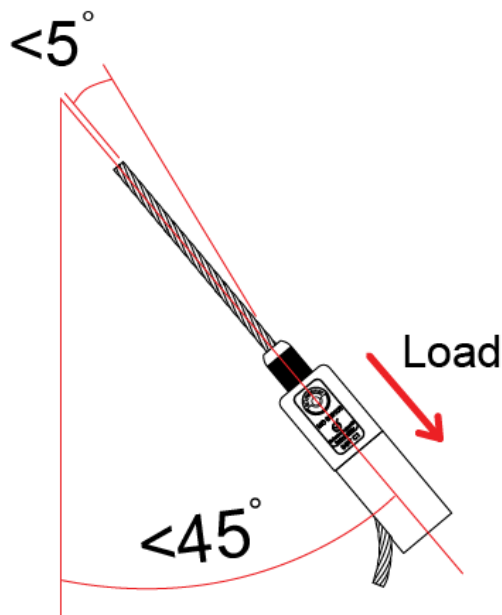
Dimensions in mm



DIMENSIONS ARE A GUIDE ONLY AND MAY VARY



The wire rope must exit in line with the Cable Holder.
The maximum angle allowed is 5 degrees.



Reutlinger Cable Holders can be used
up to an angle of 45 degrees.

The wire rope must not exceed 5 degrees
when exiting the cable holder.