



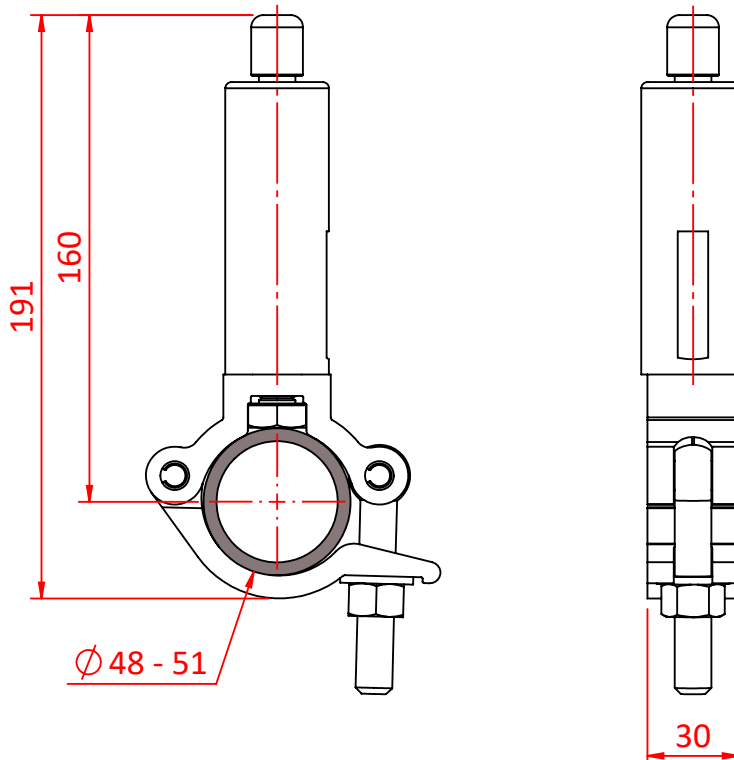
66SV III ZW with Clamp

Product Data Sheet

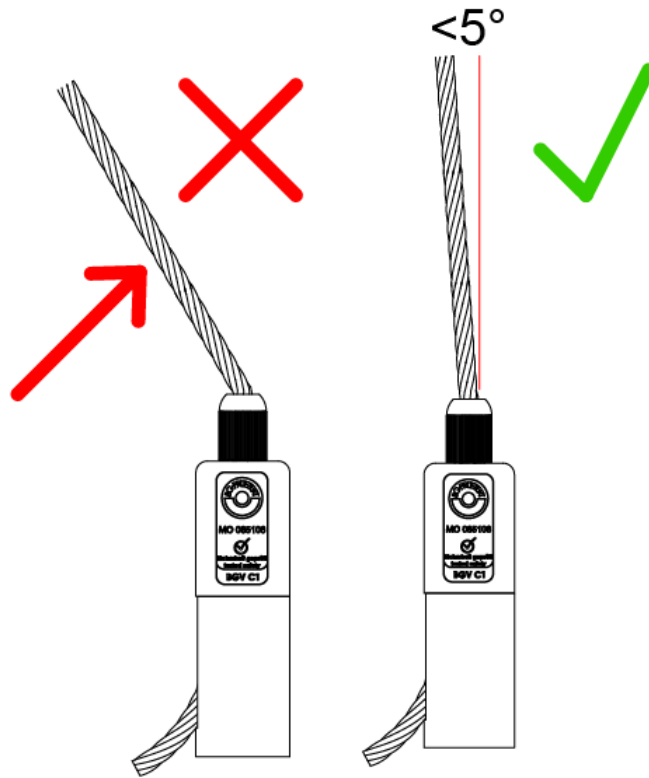


A Type 66 Cable Holder with a Clamp	
Part Nos	T37664
Clamp Fitted	T58081 Half Coupler
Tube Diameter	Ø48-51mm
Mechanism Type	3 Ball
WLL	Ø5mm Wire - 90Kg Ø6mm Wire - 135Kg Ø1/4" (6.35mm) Wire - 150Kg
Weight	0.50Kg

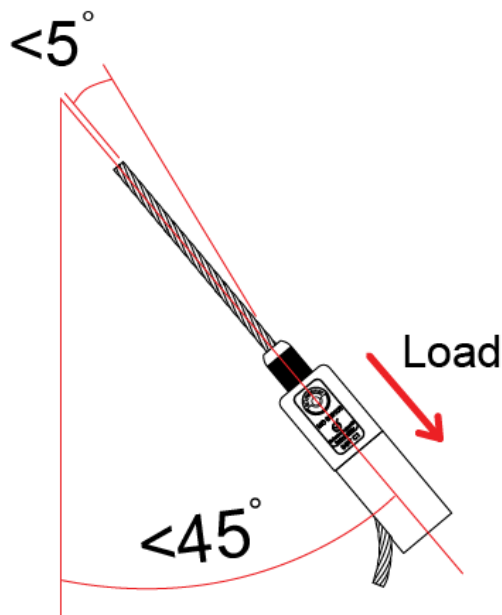
Dimensions in mm



DIMENSIONS ARE A GUIDE ONLY AND MAY VARY



The wire rope must exit in line with the Cable Holder.
The maximum angle allowed is 5 degrees.



Reutlinger Cable Holders can be used
up to an angle of 45 degrees.

The wire rope must not exceed 5 degrees
when exiting the cable holder.