



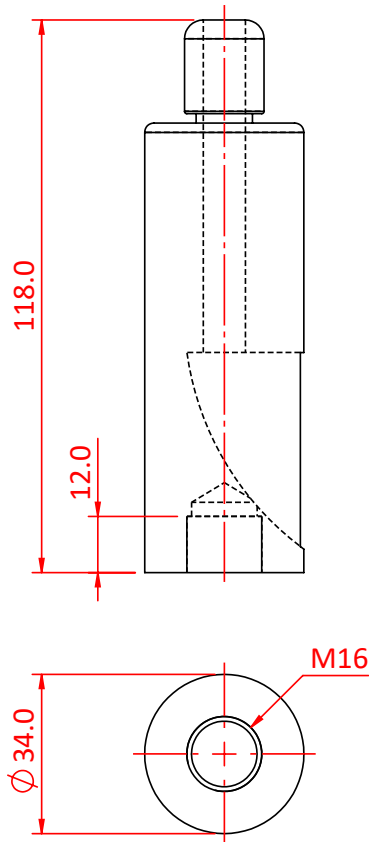
Product Data Sheet

66SV III Cable Holder with Female Thread

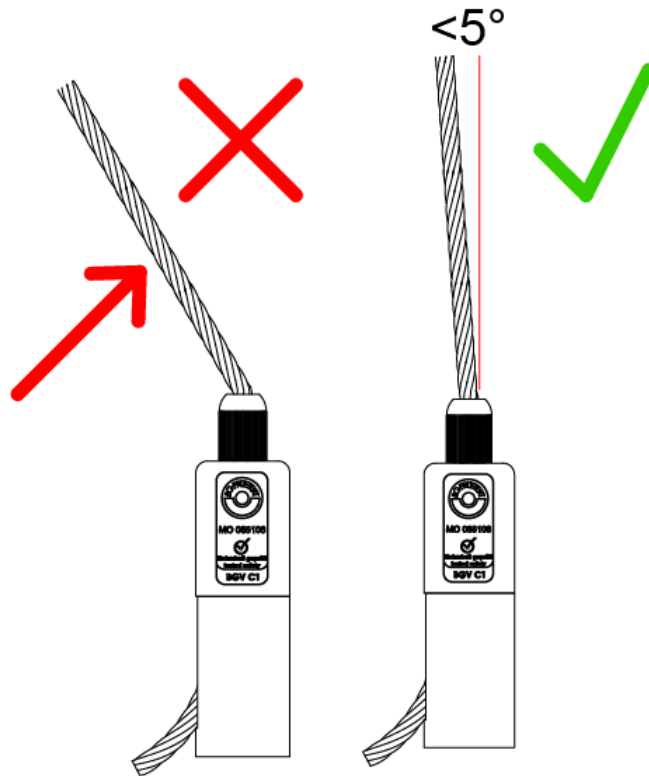


| A Type 66 Cable Holder with an M16 Female Thread | |
|--|---|
| Part Nos | T37663 |
| Holder Diameter | Ø34mm |
| Thread | M16 |
| Thread Depth | 12mm |
| Mechanism Type | 3 Ball |
| WLL | Ø5mm Wire - 90Kg Ø6mm Wire - 135Kg Ø6.35mm Wire - 150Kg |
| Weight | 0.24Kg |

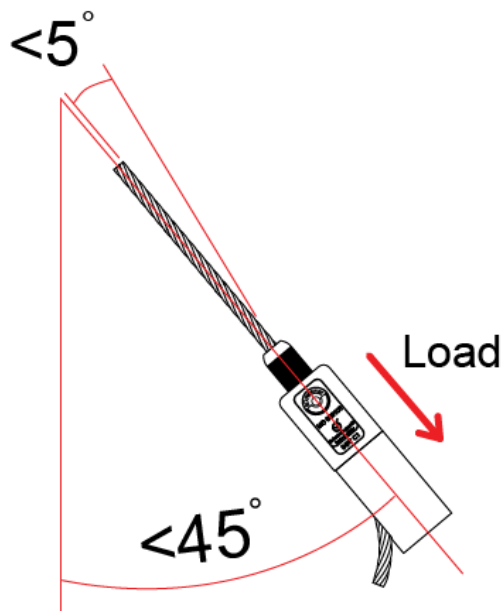
Dimensions in mm



DIMENSIONS ARE A GUIDE ONLY AND MAY VARY



The wire rope must exit in line with the Cable Holder.
The maximum angle allowed is 5 degrees.



Reutlinger Cable Holders can be used
up to an angle of 45 degrees.

The wire rope must not exceed 5 degrees
when exiting the cable holder.