



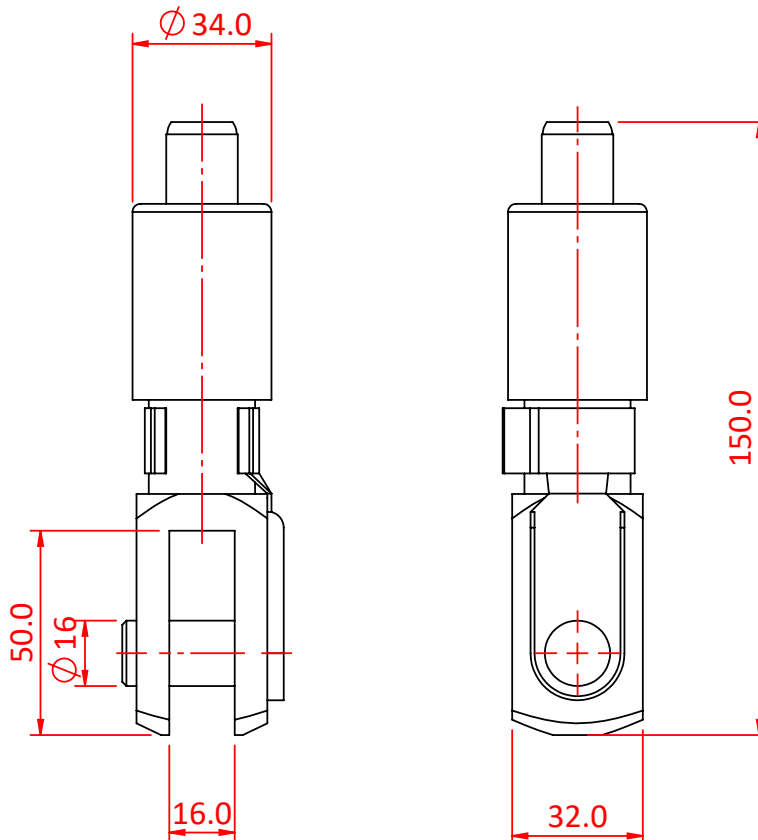
66SV III with Fork

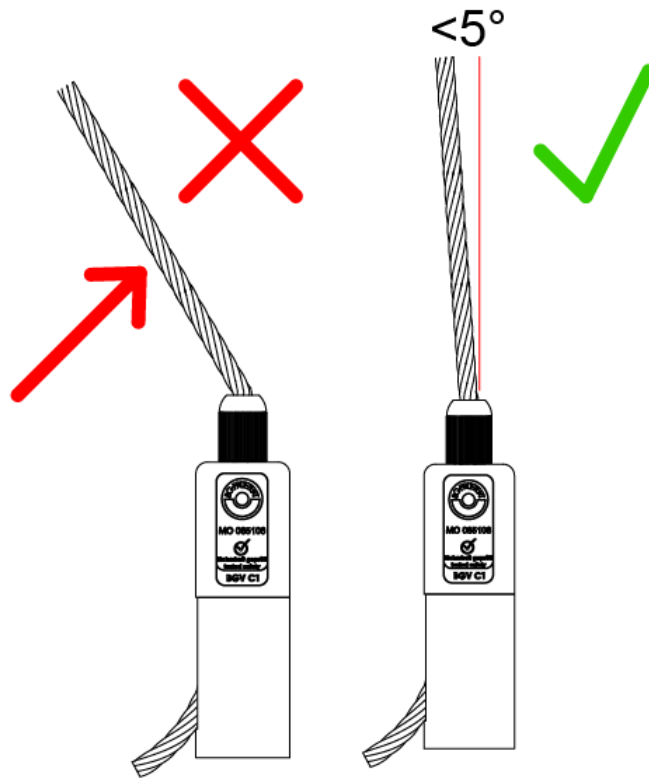
Product Data Sheet



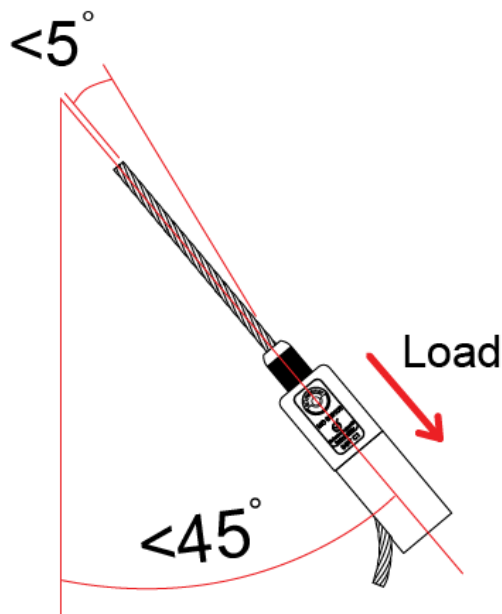
A Type 66 Cable Holder with a Fork	
Part Nos	T37662
Holder Diameter	Ø34mm
Fork Width	16mm - Inner 32mm - Outer
Fork Length	50mm
Mechanism Type	3 Ball
Pin Diameter	Ø16mm
WLL	Ø5mm Wire - 90Kg Ø6mm Wire - 135Kg Ø1/4" (6.35mm) Wire - 150Kg
Weight	0.35Kg

Dimensions in mm





The wire rope must exit in line with the Cable Holder.
The maximum angle allowed is 5 degrees.



Reutlinger Cable Holders can be used
up to an angle of 45 degrees.

The wire rope must not exceed 5 degrees
when exiting the cable holder.