



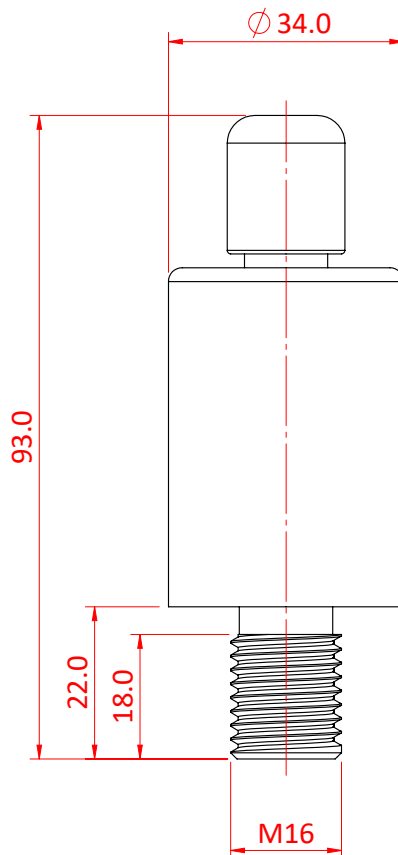
# 66SV II Cable Holder with Male Thread

Product Data Sheet



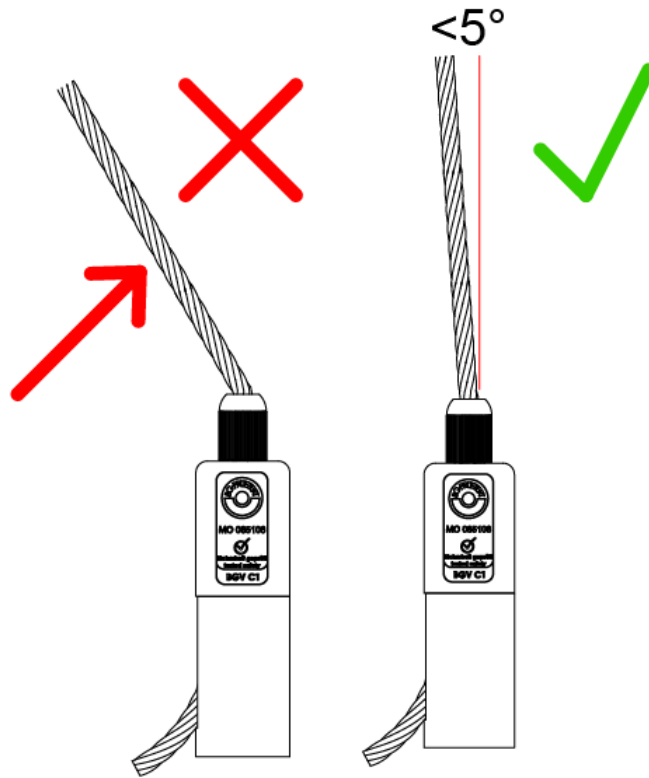
A Type 66 Cable Holder with M16 Male Thread	
Part Nos	T37660
Holder Diameter	Ø34mm
Thread	M16
Thread Length	22mm
Mechanism Type	3 Ball
WLL	Ø5mm - 90Kg Ø6mm Wire - 135Kg Ø6.35mm Wire (1/4") - 150Kg
Weight	0.12Kg

Dimensions in mm

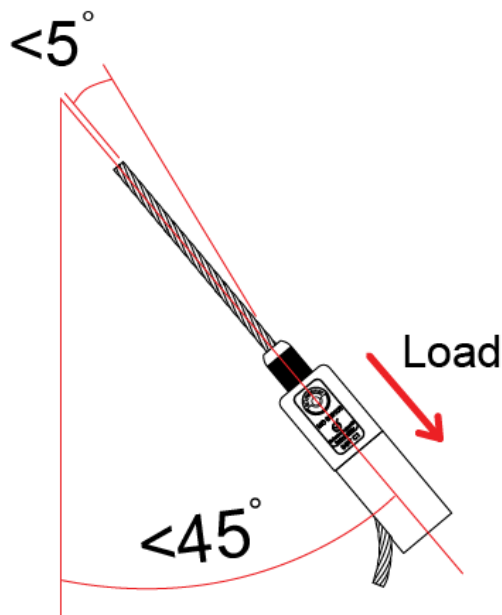


DIMENSIONS ARE A GUIDE ONLY AND MAY VARY

Doughty Engineering Ltd - Crow Arch Lane, Ringwood, Hampshire, BH24 1NZ, UK  
+44 (0) 1425 478961, sales@doughty-engineering.co.uk - www.doughty-engineering.co.uk



The wire rope must exit in line with the Cable Holder.  
The maximum angle allowed is 5 degrees.



Reutlinger Cable Holders can be used  
up to an angle of 45 degrees.

The wire rope must not exceed 5 degrees  
when exiting the cable holder.