



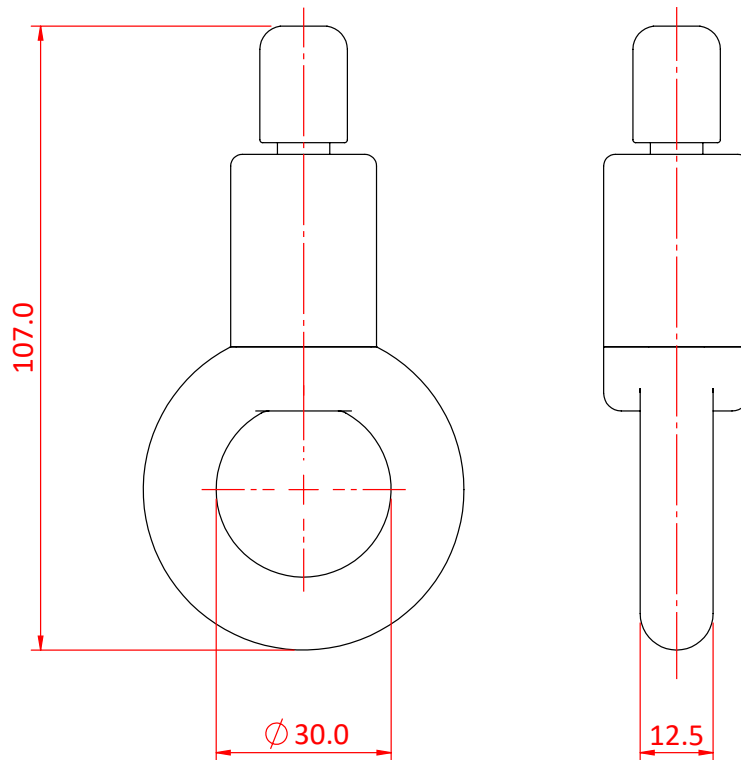
50SV III Cable Holder with Ring

Product Data Sheet

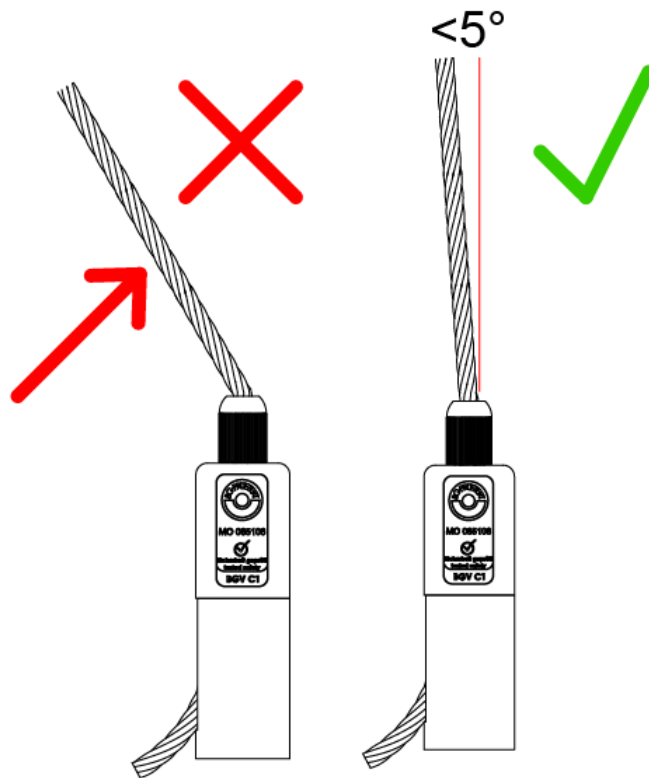


A Type 50 Cable Holder with Ring	
Part Nos	T37651
Holder Length	107mm
Ring Diameter	Ø30mm - Inner Ø54mm - Outer
Mechanism Type	3 Ball
Wire Diameter	Ø4mm & Ø5mm
WLL	Ø4mm Wire - 60Kg Ø5mm Wire - 90Kg
Weight	0.26Kg

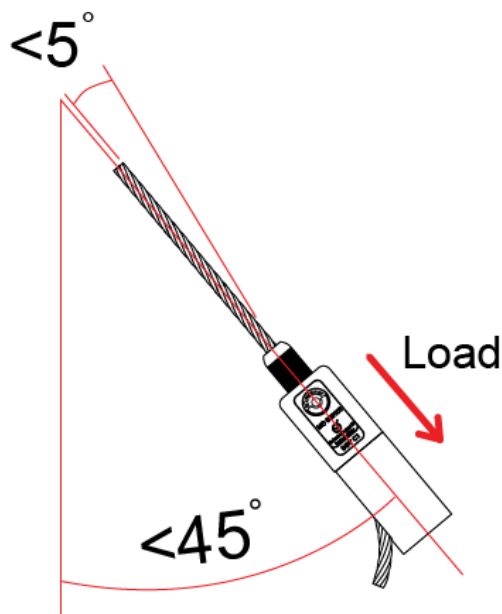
Dimensions in mm



DIMENSIONS ARE A GUIDE ONLY AND MAY VARY



The wire rope must exit in line with the Cable Holder.
The maximum angle allowed is 5 degrees.



Reutlinger Cable Holders can be used
up to an angle of 45 degrees.

The wire rope must not exceed 5 degrees
when exiting the cable holder.