



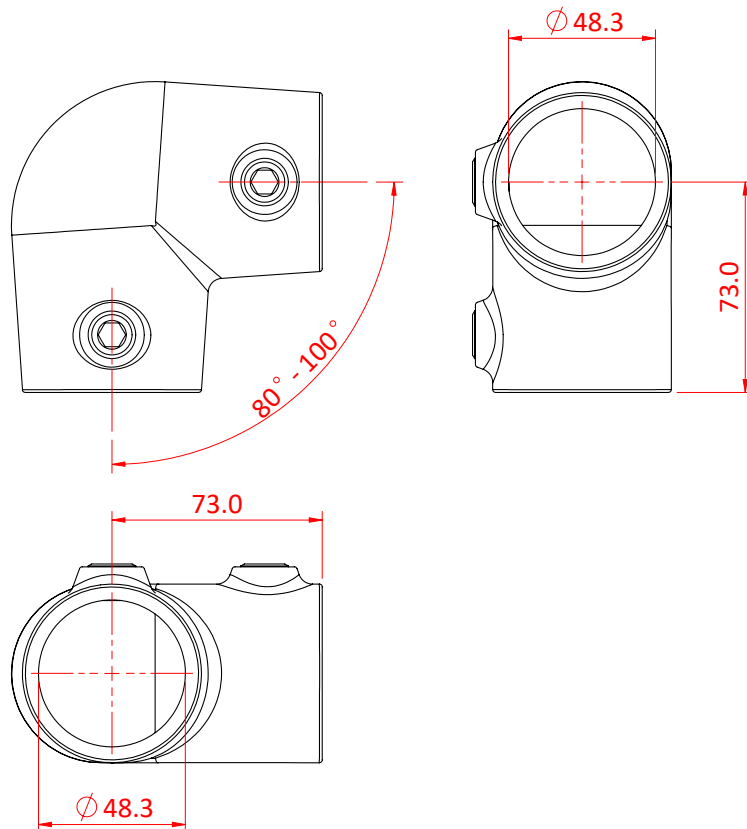
Product Data Sheet

Pipeclamp Angled Elbow 4-10 Degree



| | |
|--|---|
| A malleable iron casting with a galvanised finish. | |
| Part Nos | T17629 - Galvanised |
| Tube Diameter | Ø48.3mm |
| Materials | Malleable Iron Fixings - Grade 8.8 BZP |
| Max Tightening | 40Nm |
| WLL | N/A |
| Weight | 0.81Kg |

Dimensions in mm



DIMENSIONS ARE A GUIDE ONLY AND MAY VARY