



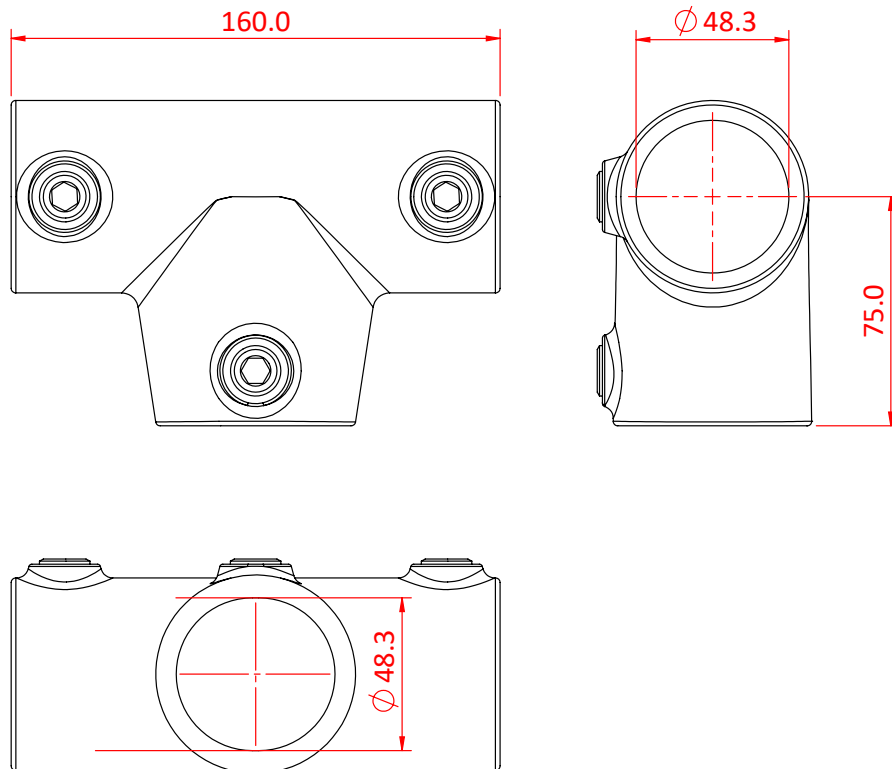
Product Data Sheet

Pipeclamp Angled Two Socket Tee 4-10 Degree



A malleable iron casting with a galvanised finish	
Part Nos	T17621 - Galvanised
Tube Diameter	Ø48.3mm
Materials	Malleable Iron Fixings - Grade 8.8 BZP
Max Tightening	40Nm
WLL	N/A
Weight	1.33Kg

Dimensions in mm



DIMENSIONS ARE A GUIDE ONLY AND MAY VARY

Doughty Engineering Ltd - Crow Arch Lane, Ringwood, Hampshire, BH24 1NZ, UK
+44 (0) 1425 478961, sales@doughty-engineering.co.uk - www.doughty-engineering.co.uk