



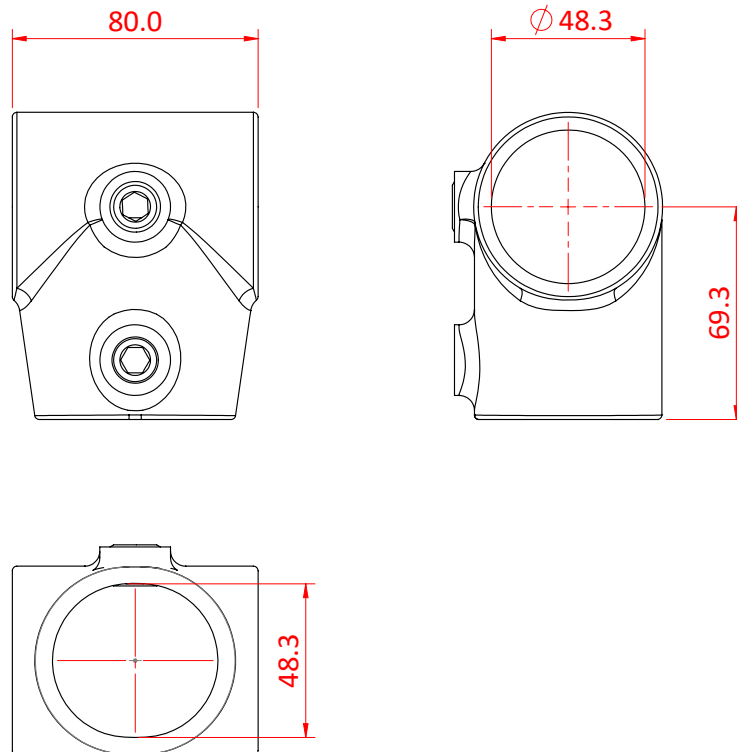
Product Data Sheet

# Pipeclamp Angled Single Socket Tee 4-10 Degree



|   |   |
|---|---|
| A malleable iron casting with a galvanised finish |   |
| <b>Part Nos</b>                                   | T17620 - Galvanised                       |
| <b>Tube Diameter</b>                              | Ø48.3mm                                   |
| <b>Materials</b>                                  | Malleable Iron<br>Fixings - Grade 8.8 BZP |
| <b>Max Tightening</b>                             | 40Nm                                      |
| <b>WLL</b>  | N/A                                       |
| <b>Weight</b>                                     | 0.67Kg                                    |

Dimensions in mm



DIMENSIONS ARE A GUIDE ONLY AND MAY VARY