



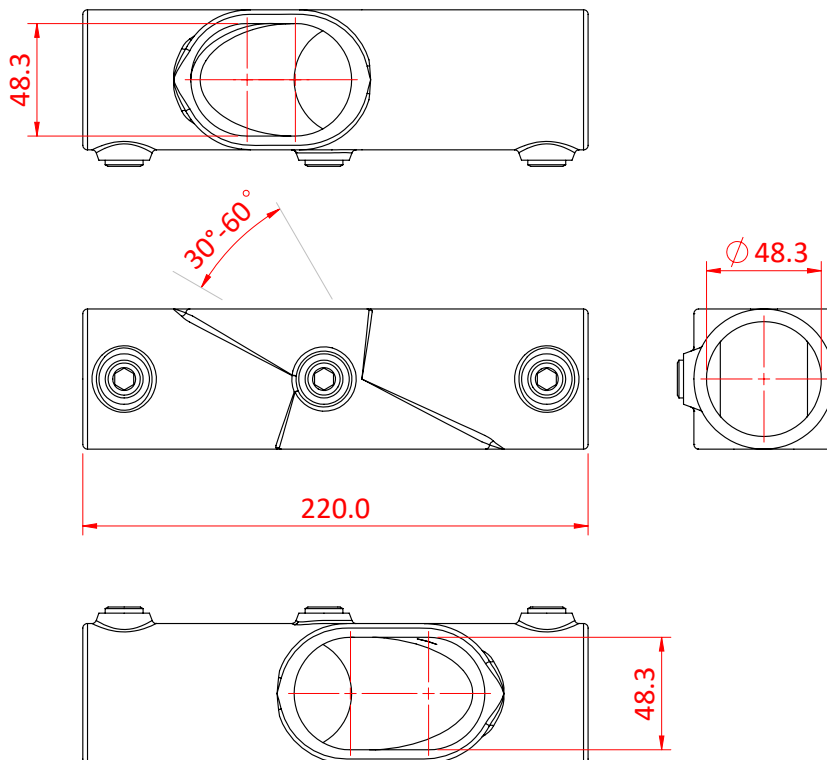
Product Data Sheet

# Pipe Clamp Two Way Adjustable Centre



A galvanised, malleable iron fitting.	
<b>Part Nos</b>	T13000 - Galvanised
<b>Tube Diameter</b>	Ø48.3mm
<b>Materials</b>	Malleable Iron Fixings - Grade 8.8 BZP
<b>Max Tightening Torque</b>	40Nm
<b>WLL</b>	N/A
<b>Weight</b>	1.56Kg

Dimensions in mm



DIMENSIONS ARE A GUIDE ONLY AND MAY VARY